

FANUC Robot CRX-10*i*A, 10*i*A/L



FEATURES

FANUC CRX-10*i*A and 10*i*A/L Robots are lightweight collaborative robots with a smooth and approachable design.

- Two reach variants available to meet various applications.
 - CRX-10*i*A Payload 10kg Reach : 1249mm
 - CRX-10*i*A/L Payload 10kg Reach : 1418mm

Safety

- Similar to the other FANUC CR-series robots, the CRX robots stop safely upon light contact with humans.

Easy installation

- The lightweight arms and compact R-30*i*B Mini Plus controller enables easy installation without any lifting equipment.

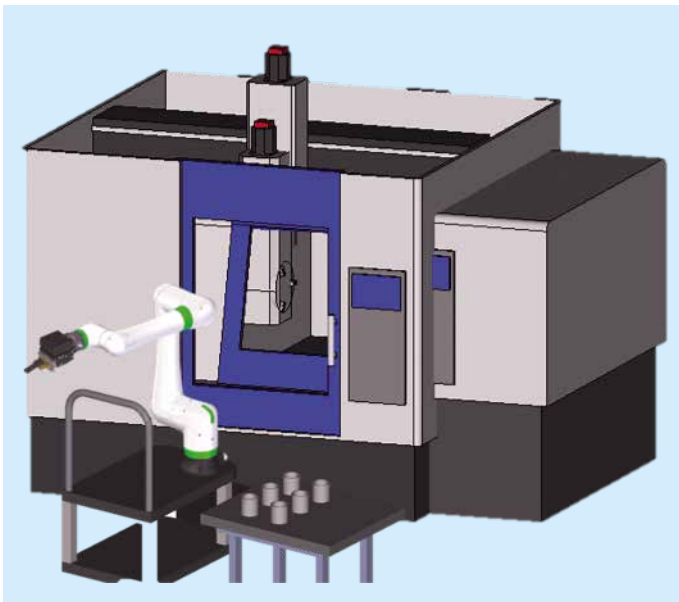
Ease of use

- Manual guided teaching and the new user interface offers intuitive operation and easy teaching.
- The under flip motion on J3 makes it easy to access to the back side. (CRX-10*i*A/L)
- Easy connection to third-party grippers
- Other intelligent features such as *i*RVision (integrated vision) and *i*RPickTool are also available.

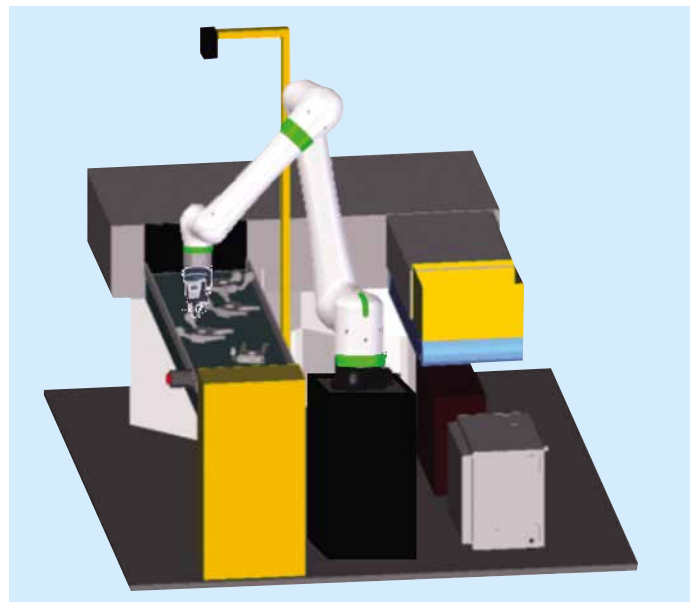
Reliability

- FANUC's CRX robots utilize the renowned high reliability design from years of experience suited for industrial use.

Application Examples



Load/Unload from Machine Tool

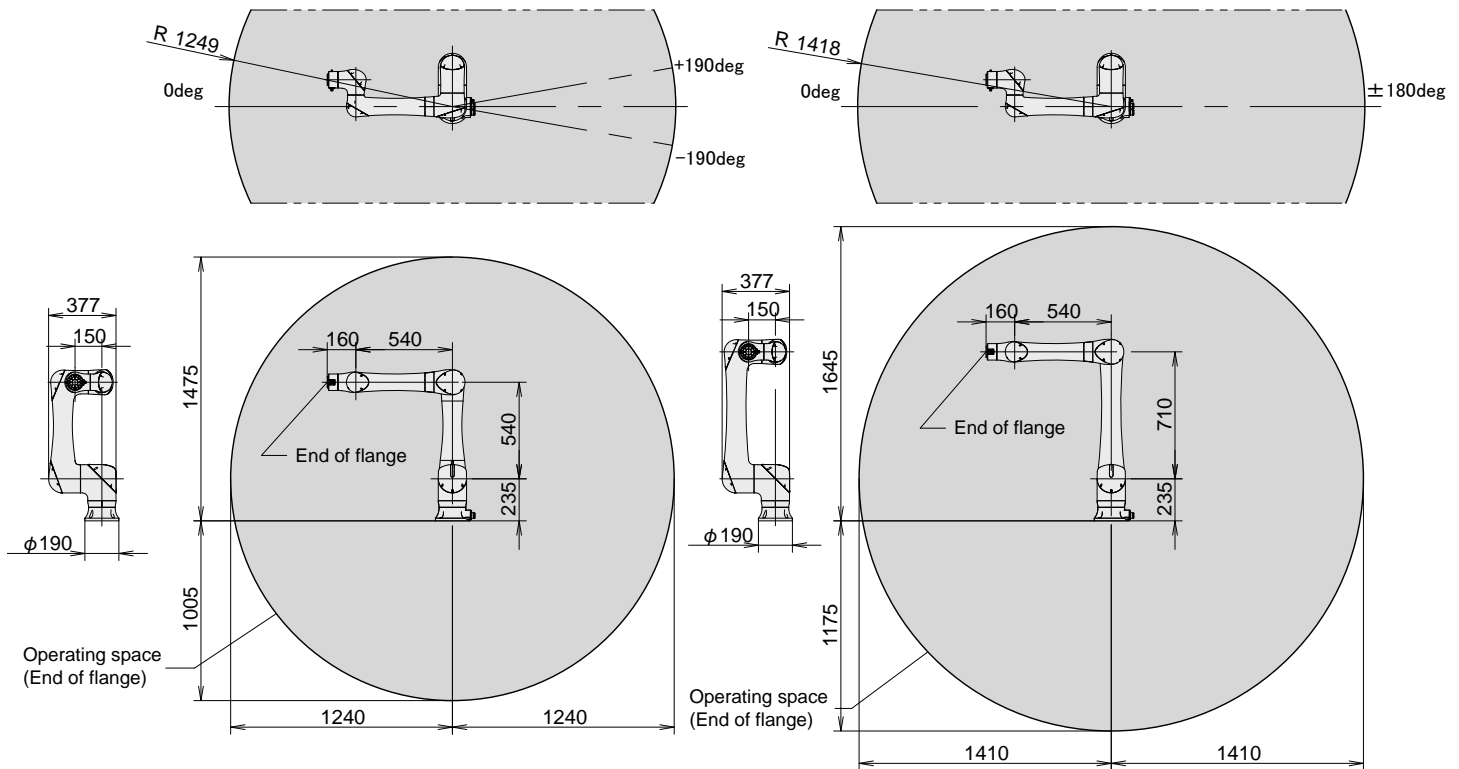


3D Visual Tracking

Operating Space

CRX-10iA

CRX-10iA/L



Specifications

Model		CRX-10iA		CRX-10iA/L	
Type		6 axes (J1, J2, J3, J4, J5, J6)			
Reach		1249 mm		1418 mm	
Installation (Note 1)		Floor, Upside-down, Angle mount			
Motion range (Maximum speed) (Note 2)	J1 axis	380° (120°/s)	6.63 rad (2.09 rad/s)	360° (120°/s)	6.28 rad (2.09 rad/s)
	J2 axis			360° (120°/s)	6.28 rad (2.09 rad/s)
	J3 axis	570° (180°/s)	9.95 rad (3.14 rad/s)	540° (180°/s)	9.42 rad (3.14 rad/s)
	J4 axis			380° (180°/s)	6.63 rad (3.14 rad/s)
	J5 axis			360° (180°/s)	6.28 rad (3.14 rad/s)
	J6 axis			380° (180°/s)	6.63 rad (3.14 rad/s)
Maximum speed (Note 2)		1000 mm/s			
Max. load capacity at wrist		10 kg			
Allowable load moment at wrist	J4 axis	34.8 Nm			
	J5 axis	26.0 Nm			
	J6 axis	11.0 Nm			
Allowable load inertia at wrist	J4 axis	1.28 kg·m ²			
	J5 axis	0.90 kg·m ²			
	J6 axis	0.30 kg·m ²			
Repeatability		± 0.05 mm			
Mass (Note 3)		39 kg			
Installation environment		Ambient temperature : 0 to 45°C Ambient humidity : Normally 75% or less (No dew nor frost allowed) : Short term 95%RH or less (within one month) Vibration acceleration : 4.9m/s ² (0.5G) or less			
Matching controller R-30iB Mini Plus	Rated Voltage	AC 100-120V, AC200-240V Single phase +10% -15%, 50/60Hz ±1Hz			
	Mass of controller	19 kg			
	Dimensions (WxDxH)	420 x 290 x 370 mm			
	Degree of protection	Conforming to IP54			

Note 1) Angle mount needs motion range restriction according to with the payload.

Note 2) During short distance motions, the axis speed may not reach the maximum value stated.

Note 3) Without controller.

FANUC CORPORATION

Headquarters Oshino-mura, Yamanashi 401-0597, Japan
 Phone: 81-555-84-5555 Fax: 81-555-84-5512 <https://www.fanuc.co.jp>

●Overseas Affiliated Companies
 FANUC America Corporation
 FANUC Europe Corporation, S.A.
 SHANGHAI-FANUC Robotics CO., LTD.
 KOREA FANUC CORPORATION
 TAIWAN FANUC CORPORATION
 FANUC INDIA PRIVATE LIMITED
 FANUC SINGAPORE PTE. LTD.
 FANUC THAI LIMITED
 FANUC MECHATRONICS (MALAYSIA) SDN. BHD.
 PT. FANUC INDONESIA
 FANUC OCEANIA PTY. LIMITED
 FANUC SOUTH AFRICA (PROPRIETARY) LIMITED

3900 West Hamlin Road, Rochester Hills, MI 48309-3253, U.S.A.
 7, rue Benedikt Zender, L-6468 Echternach, Grand-Duché de Luxembourg
 No. 1500 Fuliian Road, Baoshan Area, Shanghai, China
 101, Wanam-ro(st), Seongsan-gu, Changwon-si, Gyeongsangnam-do, 642-290 Republic of Korea
 No.10, 16th Road, Taichung Industrial Park, Taichung, Taiwan
 41-A, Electronics City, Bangalore, 560 100, India
 No.1 Teban Gardens Crescent, Singapore 608919, Singapore
 1301 Pattanakarn Road, Kwaeng Suanluang, Khet Suanluang, Bangkok 10250 Thailand
 No.32, Jalan Pengacara U1/48, Temasya Industrial Park, Section U1, Glenmarie,
 40150 Shah Alam, Selangor Darul Ehsan, Malaysia
 JL. Boulevard Bukit Gading Raya Blok R, Jakarta 14240 Indonesia
 10 Healey Circuit, Huntingwood, NSW 2148, Australia
 17 Loper Ave. Aeroport Industrial Ests, Spartan Ext.2 P.O.Box 219, Isando 1600, Republic of South Africa

Phone: 1-248-377-7000 Fax: 1-855-774-7051
 Phone: 352-727777-1 Fax: 352-727777-403
 Phone: 86-21-5032-7700 Fax: 86-21-5032-7711
 Phone: 82-55-278-1200 Fax: 82-55-284-9826
 Phone: 886-4-2359-0522 Fax: 886-4-2359-0771
 Phone: 91-80-2852-0057 Fax: 91-80-2852-0051
 Phone: 65-6567-8566 Fax: 65-6566-5937
 Phone: 66-2-714-6111 Fax: 66-2-714-6120
 Phone: 60-3-7628-0110 Fax: 60-3-7628-0220
 Phone: 62-21-4584-7285 Fax: 62-21-4584-7288
 Phone: 61-2-8822-4600 Fax: 61-2-8822-4666
 Phone: 27-11-392-3610 Fax: 27-11-392-3615

●All specifications are subject to change without notice.
 ●No part of this catalog may be reproduced in any form.
 ●The products in this catalog are controlled based on Japan's "Foreign Exchange and Foreign Trade Law". The export from Japan may be subject to an export license by the government of Japan. Further, re-export to another country may be subject to the license of the government of the country from where the product is re-exported. Furthermore, the product may also be controlled by re-export regulations of the United States government. Should you wish to export or re-export these products, please contact FANUC for advice.